

1 HPP31076 Optional Class A (Style Z) Adaptor

The HPP31076 is an optional adaptor to connect four Class A (Style Z) NAC circuits. It mounts directly onto the terminal block TB4 of the Control circuit board on the following Notification Appliance Circuit Expanders:

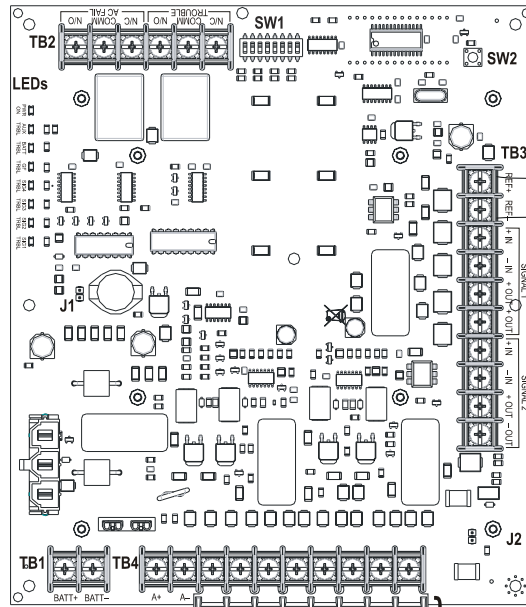
- HPFF8(E) and HPFF8CM(E). *See manual 53499, Rev. A.*
- HPFF12(E) and HPFF12CM(E). *See manual 53576, Rev. A.*

The adaptor kit includes two plastic standoffs to provide support. The same gauge wire must be used if two conductors are connected to the same terminal of any terminal block.

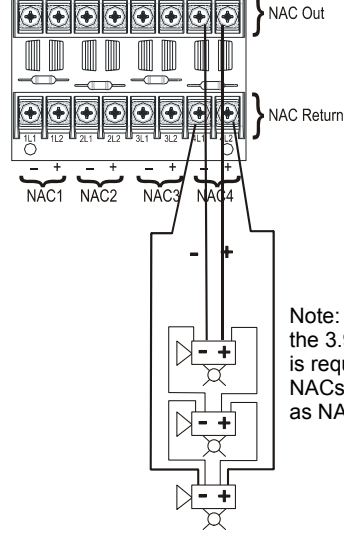
The wiring diagram in Figure 1.1 (next page) applies to HPFF8-series and HPFF12-series NAC expanders.

HPPFF812-HPP31076-NACs.wmf

- Trouble on NAC1 will illuminate LED1 SIG1 TRBL
- Trouble on NAC2 will illuminate LED2 SIG2 TRBL
- Trouble on NAC3 will illuminate LED3 SIG3 TRBL
- Trouble on NAC4 will illuminate LED4 SIG4 TRBL



Reference Resistor
3.9K ohm is required for the Class A adaptor



Note: ELR is not required, but the 3.9kohm reference resistor is required.
NACs 1 - 3 are wired the same as NAC4.

Note: Use wire gauge from 12AWG-18AWG.

Alarm Polarity Shown

Figure 1.1 Four Class A (Style Z) NACs with HPP31076 Adaptor



NOTE: Only use batteries with a maximum height of 4 inches in applications that require this adaptor in the standard enclosure. Otherwise, there is insufficient space to connect NAC field wiring, and a separate NFPA and UL864 rated enclosure is required.



- NOTE:**
1. Typical ELR's for new installations can be 3.9k or 4.7k ohm.
 2. The same gauge wire must be used if two conductors are connected to the same terminal of any terminal block.
 3. Do not complete a continuous circuit around the screw terminal. There must be two separate wires on either side of the screw at the terminal block. "T-tapping" is absolutely NOT ALLOWED.

For additional information:

- Visit our website at <http://www.honeywellpower.com>
- Contact Technical Support at (877) HPP-POWR
- E-mail us at hpp_techserv@honeywell.com